

**Thermoregulator**  
-2/0°C - 2M - full door

# CABINETS MASS/GAB

PNC	MODEL	REF	PAGE	DESCRIPTION	NOTE/ BRAND
110309	ZRX142FR	o	4,7,8,11,12	2-DOOR REFRIG. 1430L -2/+10°C,DIGIT	Zanussi
110310	ZRX142GR	p	5,7,11	2-GLASS DOOR REFR. 1430L +2/+10°C, DIGIT (NOT FOR EU)	Zanussi
110311	ZRX144HR	q	6,7,8,11,12	4x½-DOOR REFRIG. 1430L -2/+10°C,DIG	Zanussi
110322	ZR4142FR	r	4,7,8,11,12	2-DOOR REFRIG. 1430L 0/+6°C,DIG,S/S	Zanussi
110323	ZR4142GR	s	5,7,11	2-GL.DOOR REFR 1430L +2/+10°C, DIGIT,S/S (NOT FOR EU)	Zanussi
110326	ZR4142FN	t	4,7,8,11,12	2-DOOR REFRIG 1430L -2/+10°,DIG,S/S	Zanussi
110336	ZRX142FRG	u	4,7,8,11,12	2-DOOR REFRIG 1430L 0/+6°C, DIGITAL -UK	Zanussi
110337	ZRX142GRG	v	5,7,11	2-GLASS DOOR REFR 1430L +2/+10°C, DIG-UK (NOT FOR EU)	Zanussi
110348	ZR4142FRG	w	4,7,8,11,12	2-DR REFRIG. 1430L 0/+6°C,DIGITAL,S/S-UK	Zanussi
110349	ZR4142GRG	x	5,7,11	2-GL.DOOR REFR 1430L +2/+10°C,DIG,S/S-UK (NOT FOR EU)	Zanussi
110386	ZRX142GRR	y	5,9,11	2-GL DOOR REF.1430L +2/+10°C,DIGITAL REM	Zanussi
110538	ZRK142FR	z	4,7,8,11,12	2-DOOR REFRIG. 1430L 0/+6°C, DIGITAL	Zanussi
<b>110949</b>	<b>ZRX142GRR</b>	<b>y</b>	<b>5,9,11</b>	<b>2-GLASS DOOR REFRIGERATOR 1430L +2+10°C, DIGITAL A304 - REMOTE</b>	<b>Zanussi</b>
190154	REX142GRGB	e2	5,7,11	2-GLASS DOOR REFR. 1430L +2/+10°C, DIGIT	To brand
190223	REX142FR	z1	4,7,8,11,12	2-DOOR REFRIG. 1430L -2/+10°C,DIGIT	To brand
190365	REX142FRG	d2	4,7,8,11,12	2-DOOR REFRIG 1430L 0/+6°C DIGITAL+WHEEL	To brand
190371	REX142GRR	c2	5,9,11	2-GL DOOR REF.1430L +2/+10°C,DIGITAL REM	To brand
190682	ARX142GRR	a2	5,9,11	2-GL DOOR REF.1430L +2/+10°C,DIGITAL REM	Alpen
725228	REX142FRM	p2	4,7,8,11,12	2-DOOR REFRIG 1430L -2/+10°C, DIG. A304 - R290 - MARINE 50HZ	EPR
<b>725345</b>	<b>REX142GRR</b>	<b>n</b>	<b>5,9,11</b>	<b>2-GLASS DOOR REFRIGERATOR 1430L +2+10°C, DIGITAL, A304 -REMOTE</b>	<b>EPR</b>
727282	REX142FR	a	4,7,8,11,12	2-DOOR REFRIG. 1430L -2/+10°C,DIGIT - NOT FOR EUROPE	EPR
727283	REX142GR	b	5,7,11	2-GLASS DOOR REFR. 1430L +2/+10°C, DIGIT (NOT FOR EU)	EPR
727284	REX144HR	c	6,7,8,11,12	4x½-DOOR REFRIG. 1430L -2/+10°C,DIG - NOT FOR EUROPE	EPR
727295	RE4142FR	d	4,7,8,11,12	2-DOOR REFRIG. 1430L 0/+6°C,DIG,S/S	EPR
727296	RE4142GR	f	5,7,11	2-GL.DOOR REFR 1430L +2/+10°C, DIGIT,S/S (NOT FOR EU)	EPR
727336	RE4142FN	e	4,7,8,11,12	2-DOOR REFRIG 1430L -2/+10°,DIG,S/S	EPR
727363	REX142FRG	g	4,7,8,11,12	2-DOOR REFRIG 1430L 0/+6°C, DIGITAL -UK	EPR
727364	REX142GRG	l	5,7,11	2-GLASS DOOR REFR 1430L +2/+10°C, DIG-UK (NOT FOR EU)	EPR
727375	RE4142FRG	h	4,7,8,11,12	2-DR REFRIG. 1430L 0/+6°C,DIGITAL,S/S-UK	EPR

**Note:** per la corretta identificazione dei componenti, attenersi esclusivamente alle pagine indicate e alla lettera di riferimento.

**Note:** for the correct identification of the components, follow the indicated pages and the reference letter.

Rev.12	<b>Index</b>	<b>Indice</b>	
	Pag. 4,5,6	Cabinet and door	Armadio e porta
	7,8	Cooling unit assembly	Gruppo refrigerante
	9,10	Remote cooling unit assembly	Gruppo refrigerante remoto
	11,12	Control panel	Pannello comandi
13-18	Spare parts list	Lista ricambi	

**Thermoregulator**  
-2/0°C - 2M - full door

# CABINETS MASS/GAB

PNC	MODEL	REF	PAGE	DESCRIPTION	NOTE/ BRAND
727376	RE4142GRG	m	5,7,11	2-GL.DOOR REFR 1430L +2/+10°C,DIG,S/S-UK (NOT FOR EU)	EPR
727501	REX142GRR	n	5,9,11	2-GL DOOR REF.1430L +2/+10°C,DIGITAL REM	EPR
727626	REX142FRM	b2	4,7,8,11,12	MASS 1430L 2 FULL D. -2°C DIG. A304 MARI	EPR
727958	REX142GRR	n2	5,9,11	2-GLASS DOOR REFRIGERATOR 1430L +2/+10°C,DIGI-TAL-R134a-REM	EPR
728708	REK142FR	i	4,7,8,11,12	2-DOOR REFRIG. 1430L 0/+6°C, DIGITAL	EPR
729050	ARX142FR	a1	4,7,8,11,12	2-DOOR REFRIG. 1430L -2/+10°C,DIGIT	Alpen
729051	ARX142GR	b1	5,7,11	2-GLASS DOOR REFR. 1430L +2/+10°C, DIGIT (NOT FOR EU)	Alpen
729052	ARX144HR	c1	6,7,8,11,12	4x½-DOOR REFRIG. 1430L -2/+10°C,DIG	Alpen
729063	AR4142FR	d1	4,7,8,11,12	2-DOOR REFRIG. 1430L 0/+6°C,DIG,S/S	Alpen
729064	AR4142GR	e1	5,7,11	2-GL.DOOR REFR 1430L +2/+10°C, DIGIT,S/S (NOT FOR EU)	Alpen
729067	AR4142FN	f1	4,7,8,11,12	2-DOOR REFRIG 1430L -2/+10°,DIG,S/S	Alpen
729077	ARX142FRG	g1	4,7,8,11,12	2-DOOR REFRIG 1430L 0/+6°C, DIGITAL -UK	Alpen
729078	ARX142GRG	h1	5,7,11	2-GLASS DOOR REFR 1430L +2/+10°C, DIG-UK (NOT FOR EU)	Alpen
729089	AR4142FRG	i1	4,7,8,11,12	2-DR REFRIG. 1430L 0/+6°C,DIGITAL,S/S-UK	Alpen
729090	AR4142GRG	l1	5,7,11	2-GL.DOOR REFR 1430L +2/+10°C,DIG,S/S-UK (NOT FOR EU)	Alpen
729127	ARX142GRR	m1	5,9,11	2-GL DOOR REF.1430L +2/+10°C,DIGITAL REM	Alpen
729131	ARK142FR	n1	4,7,8,11,12	2-DOOR REFRIG. 1430L 0/+6°C, DIGITAL	Alpen
729280	NRX142FR	o1	4,7,8,11,12	2-DOOR REFRIG. 1430L -2/+10°C,DIGIT	To brand
729281	NRX142GR	p1	5,7,11	2-GLASS DOOR REFR. 1430L +2/+10°C, DIGIT (NOT FOR EU)	To brand
729287	NR4142FR	q1	4,7,8,11,12	2-DOOR REFRIG. 1430L 0/+6°C,DIG,S/S	To brand
729299	NRX142FRG	r1	4,7,8,11,12	2-DOOR REFRIG 1430L 0/+6°C, DIGITAL -UK	To brand
729300	NRX142GRG	s1	5,7,11	2-GLASS DOOR REFR 1430L +2/+10°C, DIG-UK (NOT FOR EU)	To brand
729309	BR4142FRG	t1	4,7,8,11,12	2-DR REFRIG. 1430L 0/+6°C,DIGITAL,S/S-UK	To brand
729310	NR4142GRG	v1	5,7,11	2-GL.DOOR REFR 1430L +2/+10°C,DIG,S/S-UK (NOT FOR EU)	To brand
729354	NRK142FR	w1	4,7,8,11,12	2-DOOR REFRIG. 1430L 0/+6°C, DIGITAL	To brand
<b>729657</b>	<b>ARX142GRR</b>	<b>m1</b>	<b>5,9,11</b>	<b>2-GLASS DOOR REFRIGERATOR 1430L +2/+10°C, DIGITAL, A304 - REMOTE</b>	<b>Alpen</b>
190AAG	ZRX142FR	h2	4,7,8,11,12	2-DOOR REFRIG. 1430L -2/+10°C,DIGIT, UK	Zanussi
190AB0	ZR4142GR	f2	5,7,11	2-GL.DOOR REFR 1430L +2/+10°C, DIGIT,S/S	Zanussi

**Note:** per la corretta identificazione dei componenti, attenersi esclusivamente alle pagine indicate e alla lettera di riferimento.

**Note:** for the correct identification of the components, follow the indicated pages and the reference letter.

Rev.12	<b>Index</b>	<b>Indice</b>	
	Pag. 4,5,6	Cabinet and door	Armadio e porta
	7,8	Cooling unit assembly	Gruppo refrigerante
	9,10	Remote cooling unit assembly	Gruppo refrigerante remoto
	11,12	Control panel	Pannello comandi
13-18	Spare parts list	Lista ricambi	

Thermoregulator  
-2/0°C - 2M - full door

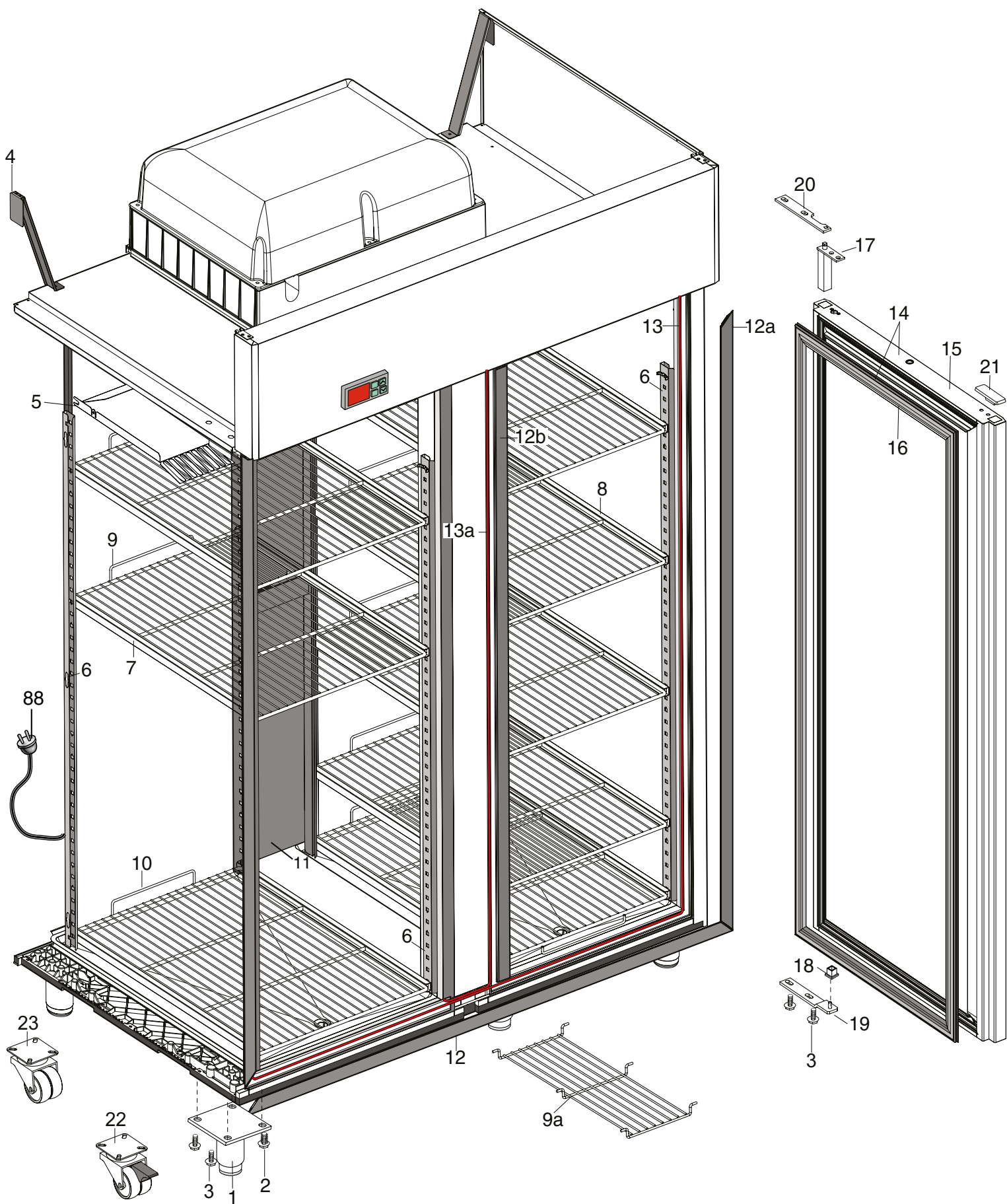
# CABINETS MASS/GAB

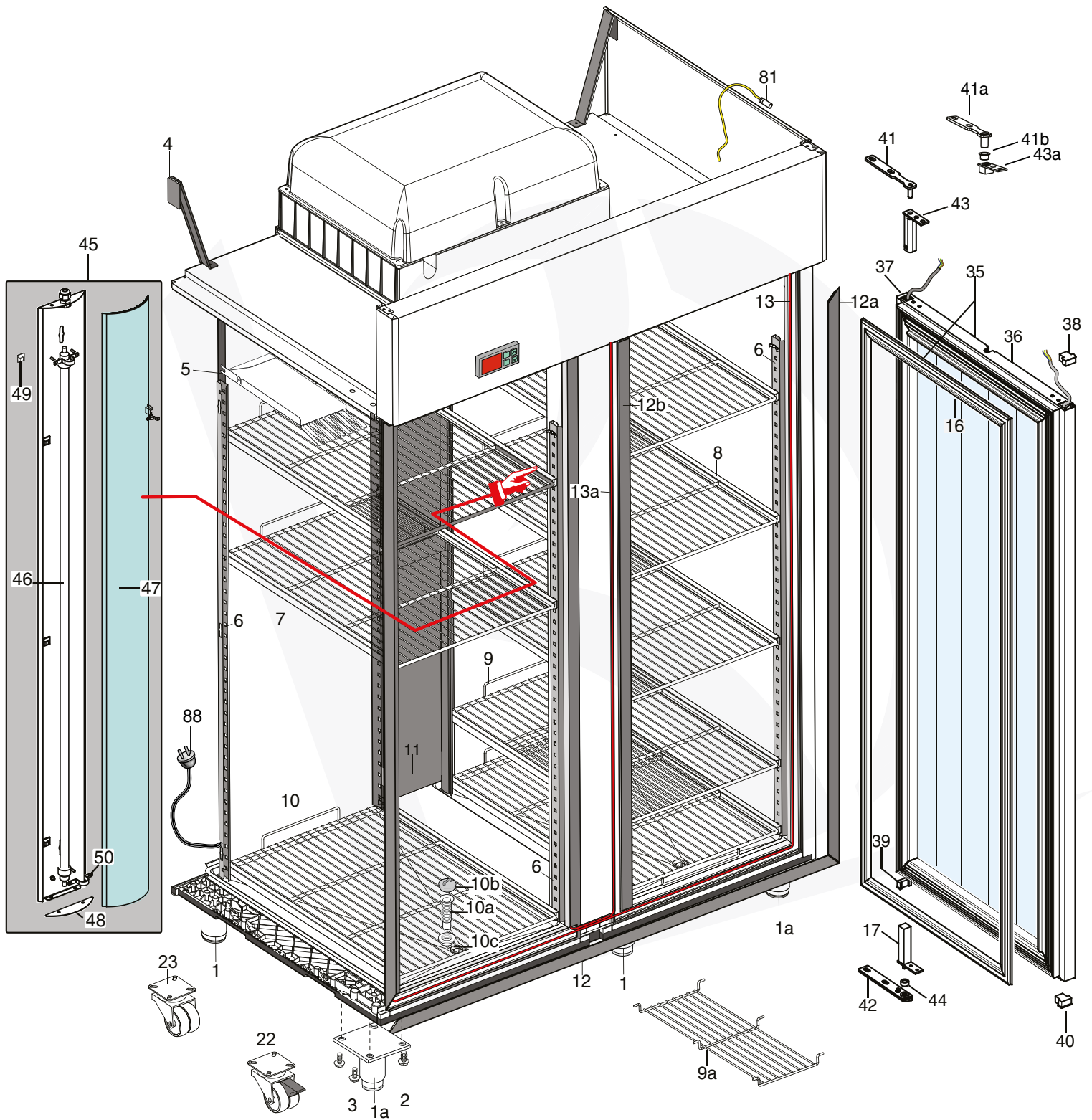
PNC	MODEL	REF	PAGE	DESCRIPTION	NOTE/ BRAND
190AN0	ARX142GRR	g2	5,9,11	2-GL DOOR REF.1430L +2/+10°C,DIGITAL REM	Alpen
190AWG	ARX142GRR	m2	5,9,11	2-GL DOOR REF.1430L +2/+10°C,DIGITAL REM	Alpen
190CV9	REX144HR	o2	6,7,8,11,12	4x½-DOOR REFRIG. 1430L -2/+10°C,DIG	EPR

**Note:** per la corretta identificazione dei componenti, attenersi esclusivamente alle pagine indicate e alla lettera di riferimento.

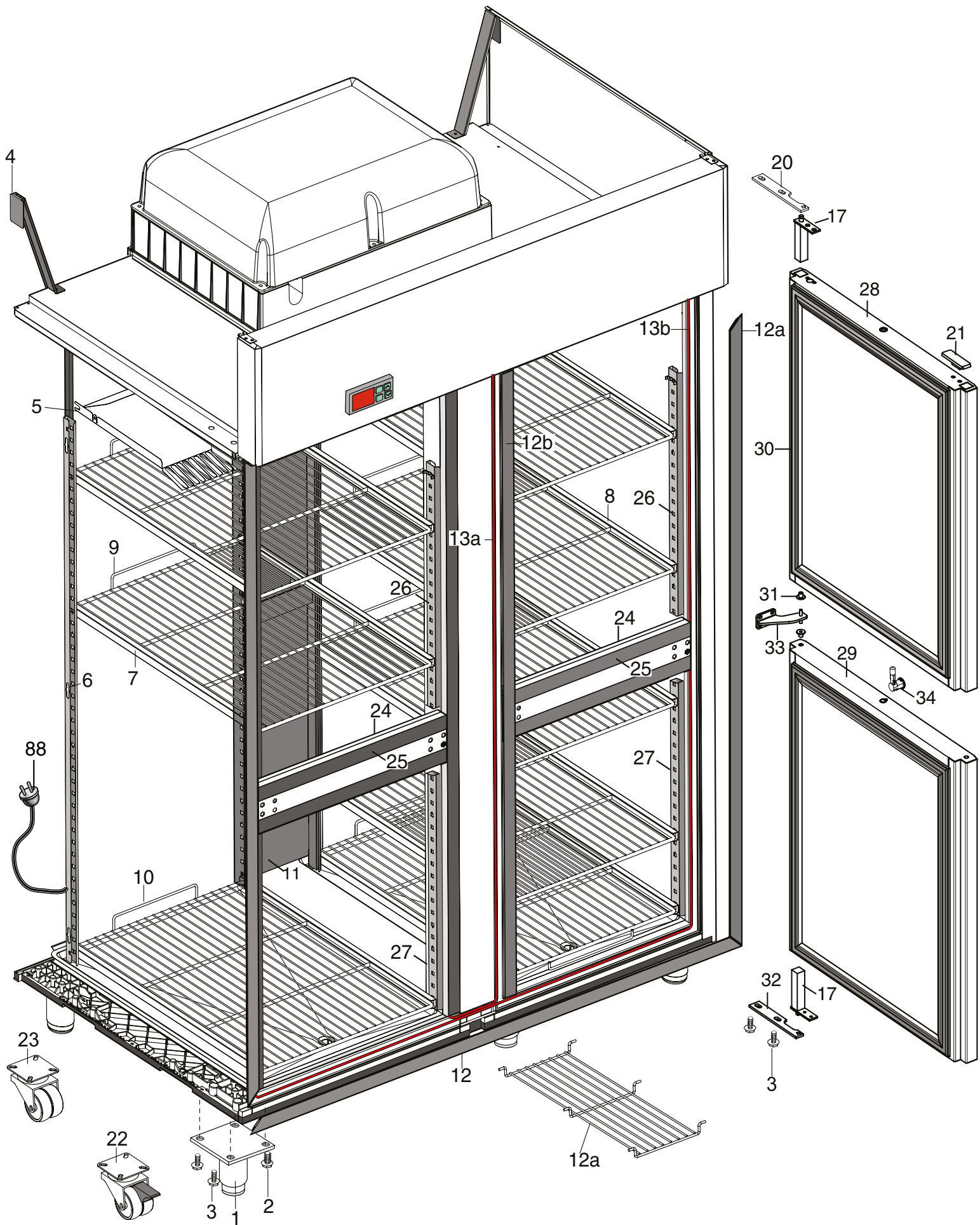
**Note:** for the correct identification of the components, follow the indicated pages and the reference letter.

Rev.12		<b>Index</b>	<b>Indice</b>
	Pag. 4,5,6	Cabinet and door	Armadio e porta
	7,8	Cooling unit assembly	Gruppo refrigerante
	9,10	Remote cooling unit assembly	Gruppo refrigerante remoto
	11,12	Control panel	Pannello comandi
13-18	Spare parts list	Lista ricambi	



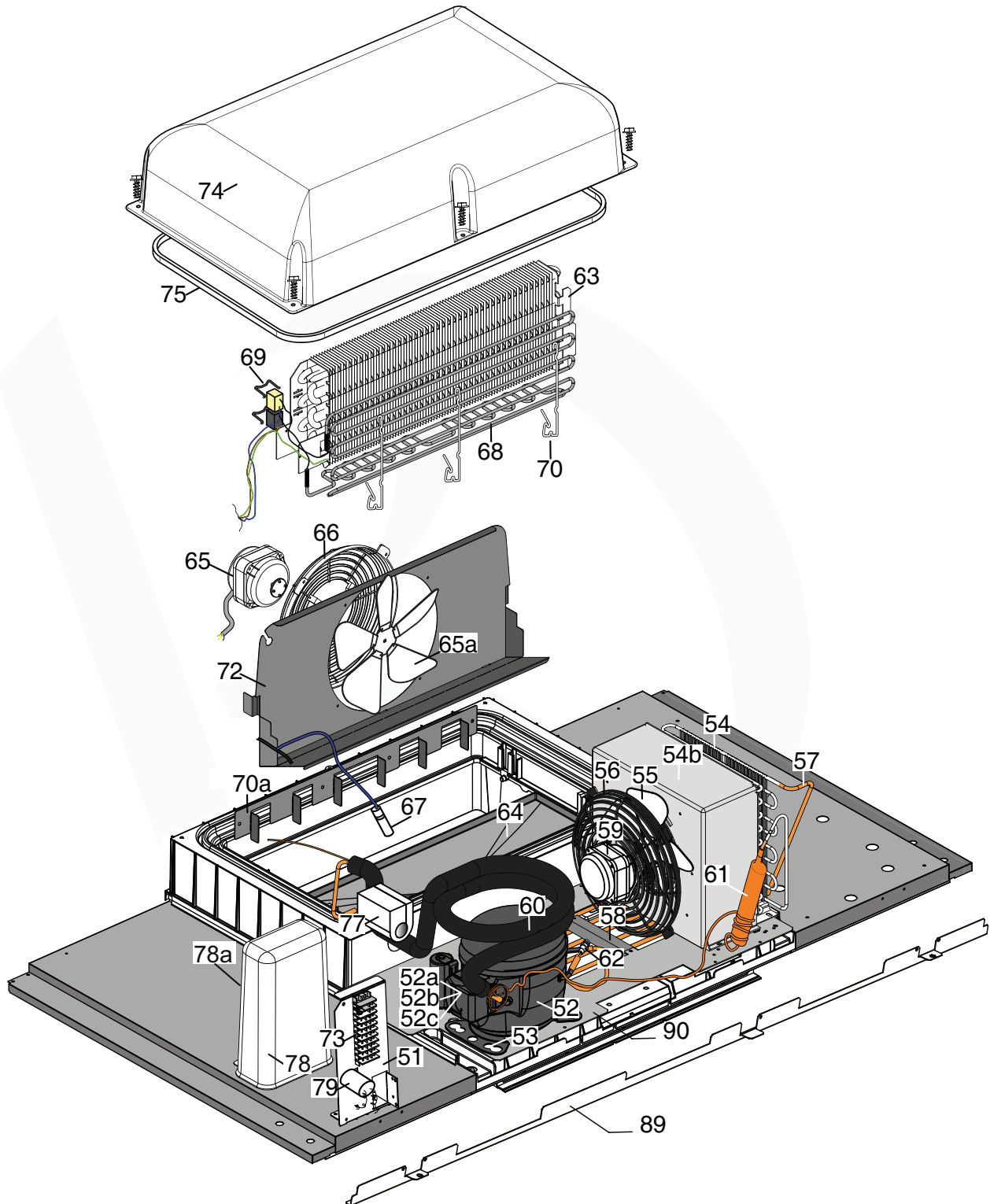




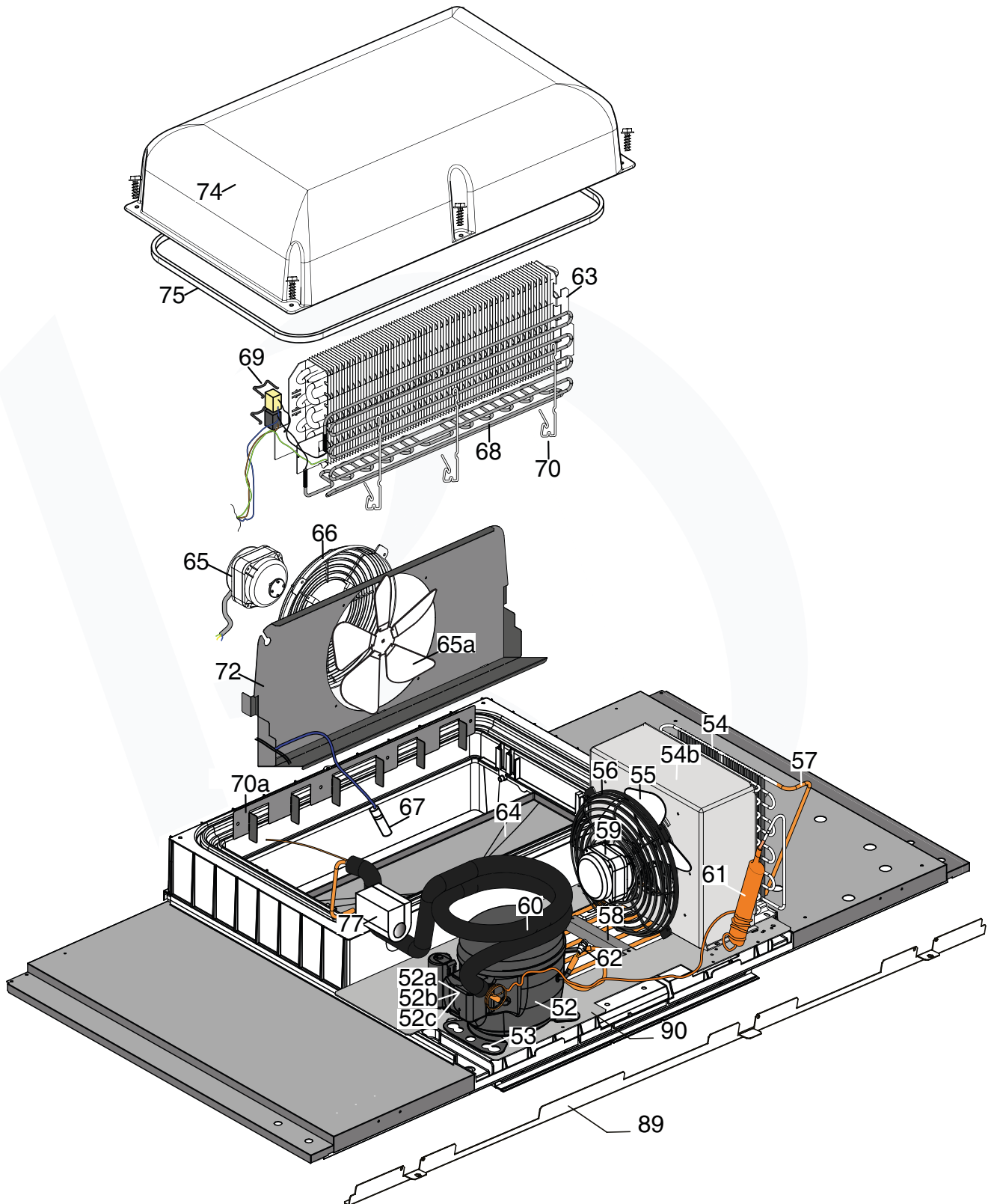


# COOLING UNIT ASSEMBLY

UP TO WK 37/2021 FOR FULL DOOR, ALWAYS FOR GLASS DOOR

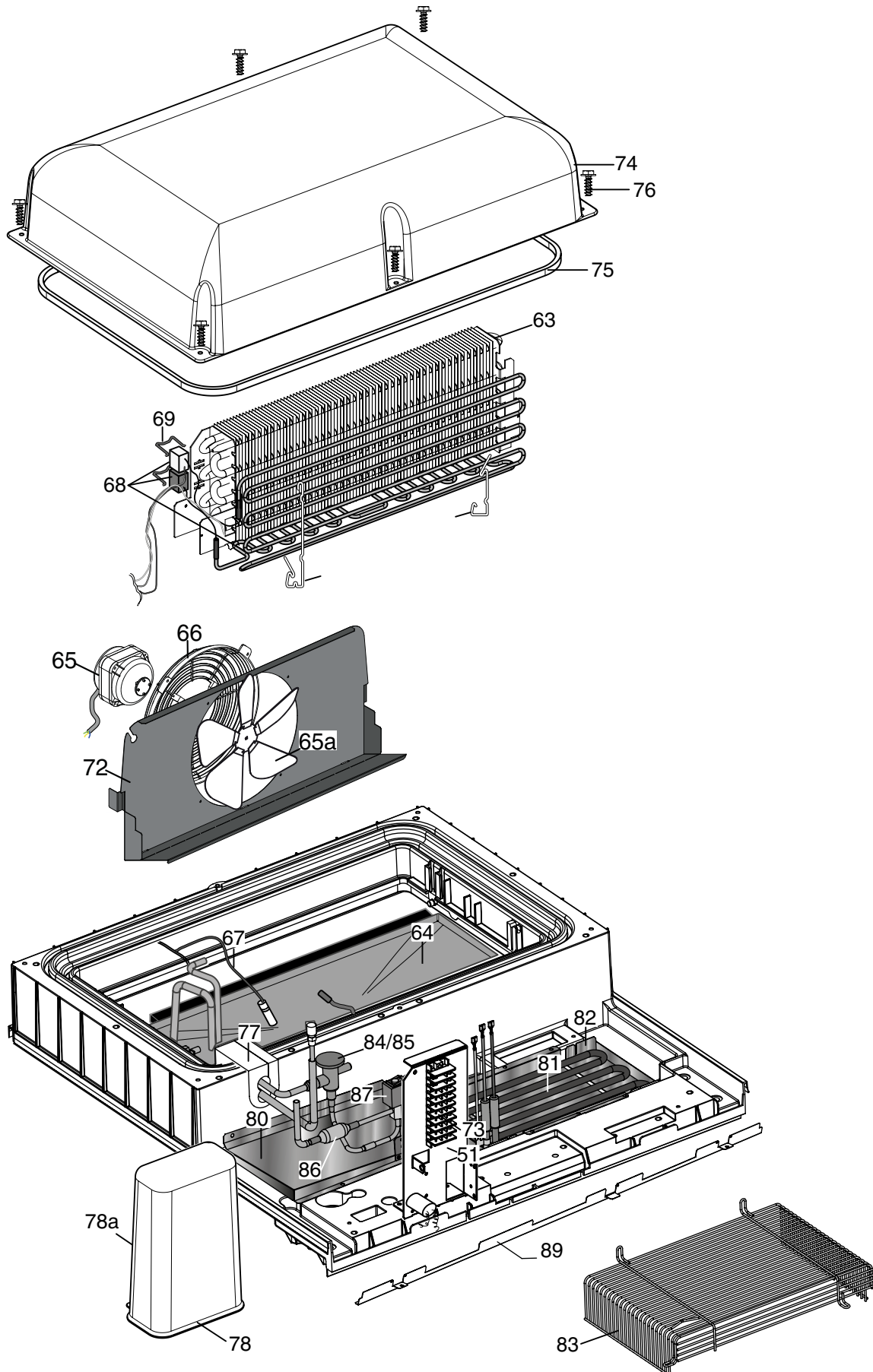


# COOLING UNIT ASSEMBLY FROM WK 38/2021 FOR FULL DOOR

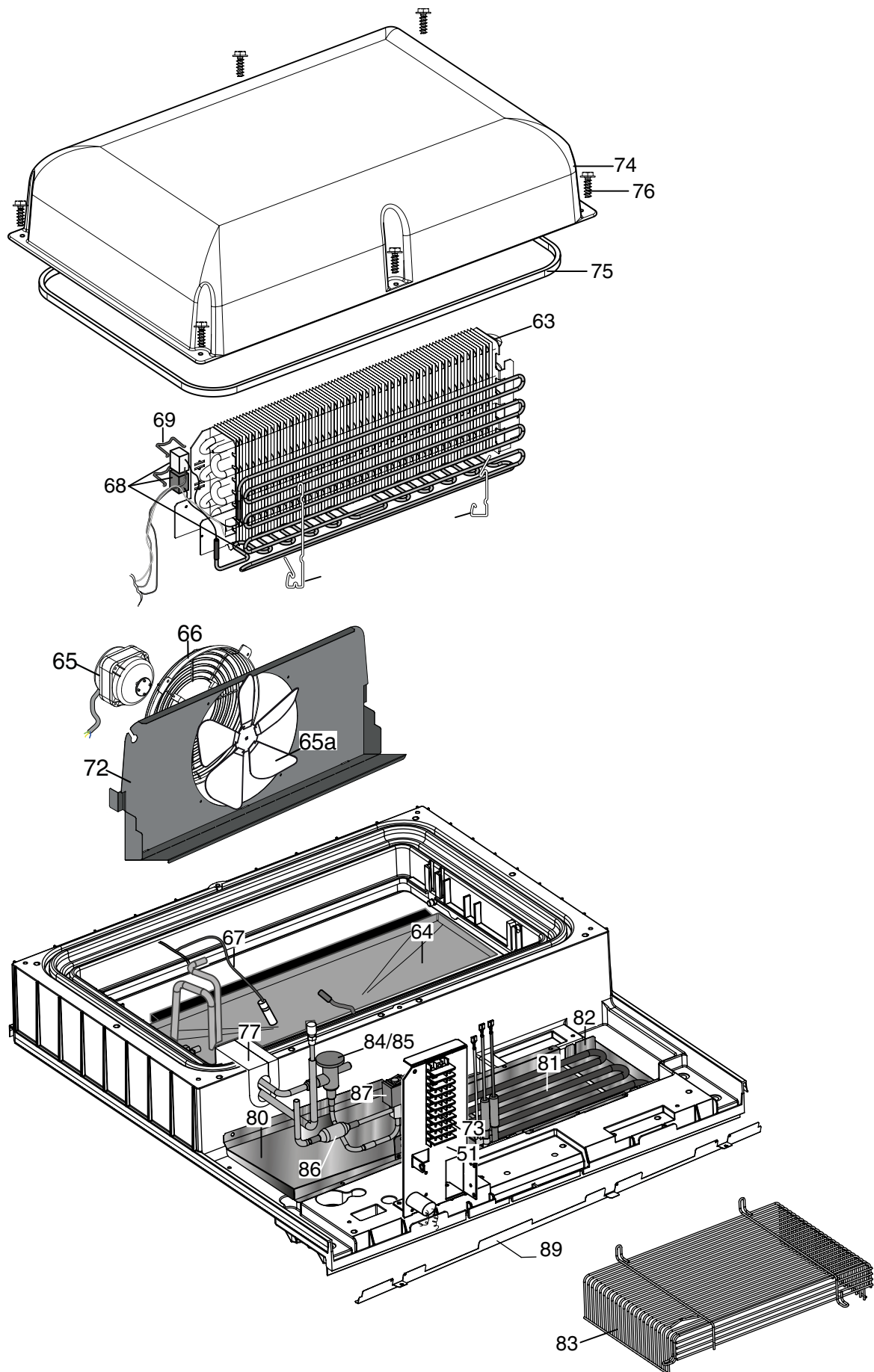




# REMOTE COOLING UNIT ASSEMBLY FOR FULL DOOR UP TO WK 37/2021, ALWAYS FOR GLASS DOOR

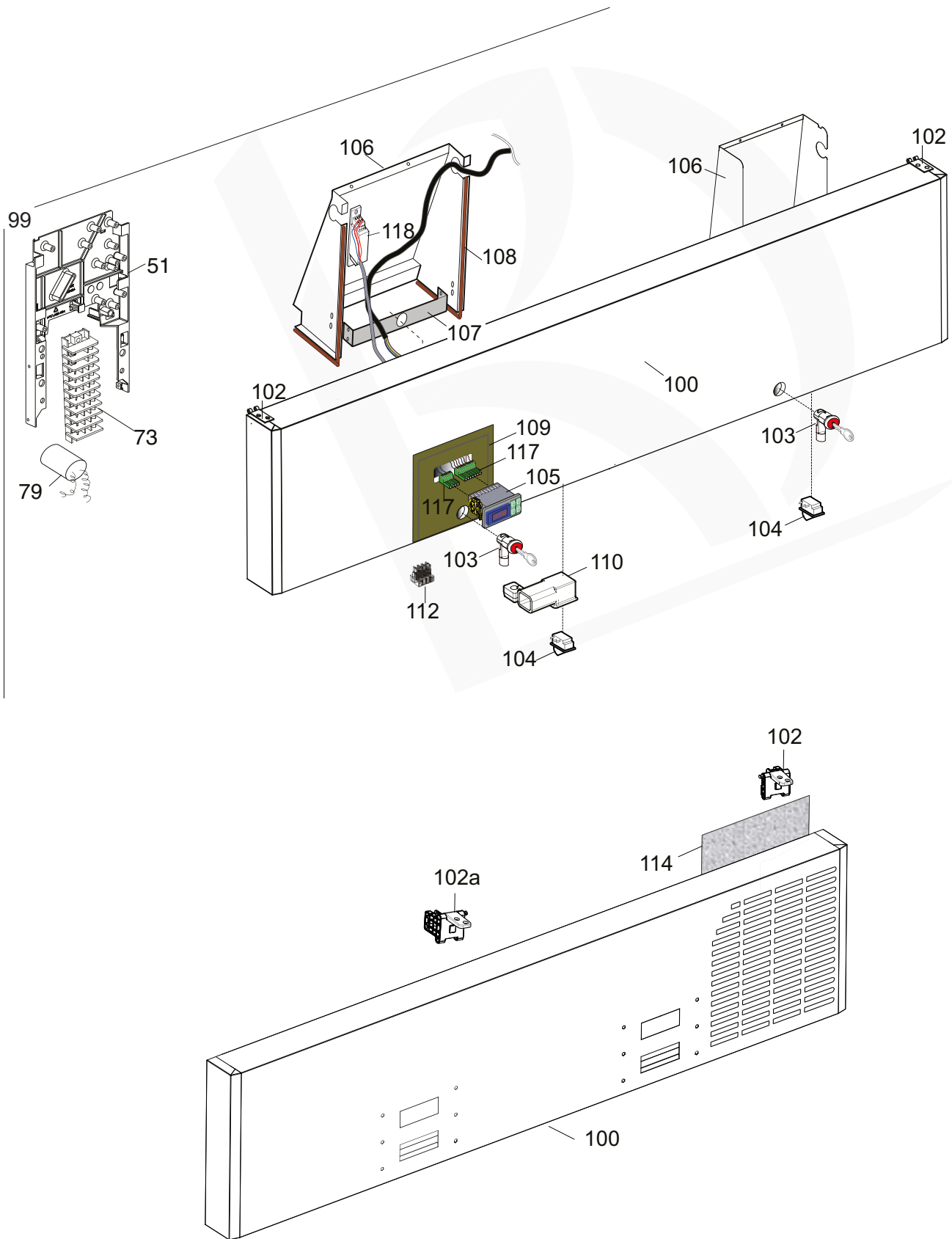


# REMOTE COOLING UNIT ASSEMBLY FOR FULL DOOR FROM WK 38/2021





# CONTROL PANEL FOR FULL DOOR FROM WK 38/2021





Pos	Fact .Code	SPC	Descrizione	Description	Ref, - Note
1	541R05001	093243	Piedino	Foot	
1	518R03900	094098	Piedino MARINE	MARINE foot	b2,c2,p2
1a	518R02600	093244	Piedino anteriore porta vetro	Back foot glass door	
2	217555204	093245	Vite per plastica per piedino	Screw ( use by fix foot)	
3	518708601	093246	Vite M8x20 per fiss. staffa sup/inf	Screw M8X20 ( use by fix bracket)	
4	502R17500	093394	Staffa supporto fianchi	Side support	
5	875R37501		Assieme carter interno	Internal protection assembly	
6	501R38201	093249	Cremagliera anteriore/posteriore	Front/back Rack	
7	501R47900	093250	Guida Sx	Left support	
7	501R63900	095061	Guida Sx MARINE	Left support MARINE	b2,c2,p2
8	501R48100	093251	Guida Dx	Right support	
8	501R64000	095062	Guida Dx MARINE	Right support MARINE	b2,c2,p2
9	514R10600	093252	Griglia 2/1 rilsan	Grid 2/1rilsan	
9	514R10700	093360	Griglia 2/1 aisi 304	Grid 2/1aisi 304	
9a	514R11700	093397	Griglia centrale	Central grid	g,h,u,w,g1,i1,r1,t1
10	514R12200	093253	Griglia di fondo rilsan	Bottom grid rilsan	
10	514R12100	093296	Griglia di fondo aisi 304	Bottom grid aisi 304	
11	501R62100	093490	Supporto centrale cremagliere	Rack support	
12	832R09202	093545	Cornice orizzontale	Horizontal frame	
12a	832R09101	093255	Cornice verticale	Vertical frame	
12b	832R09401	093399	Cornice verticale montante	Vertical frame central support	
13a	617R07001	093419	Cavo riscaldante cornice 6.39 W	Heating cable frame 6.39 W	a,c,e,o,q,t,a1,c1,f1,o1,z1,b2,h2,o2,p2
14	835R27007	093289	Porta con guarnizione, cerniera	Gasket, hinge, and door	a,g,i,o,u,z,a1,g1,n1,o1,r1,w1,h2
14	835R27108	093290	Porta con guarnizione, cerni.A430	Gasket, hinge, and door A430	d,e,h
15	835R27407	093291	Porta 304	Door (left) for template A304	a,g,i,o,u,z,a1,g1,n1,o1,r1,w1,h2
15	835R27500	093292	Porta 430	Door (left) for template A430	d,e,h up to 2012/13
15	835R27507	096028	Porta 430	Door (left) for template A430	d,e,h,r,t,w,d1,f1,i1,q1,t1 from 2012/14
16	548R06802	093257	Guarnizione porta vetro	Gasket glass door	Glass door
16	548R08000	094152	Guarnizione porta cieca e porta vetro LED	Gasket full door and LED glass door	Full door and LED glass door
17	835704001	082219	Cerniera porta	Hinge door	
18	544700601	081654	Boccola per porta	Door bush	
19	833R21600	093341	Staffa inferiore porta	Lower stirrup door	
20	505723801	082257	Staffa superiore porta	Upper stirrup door	
21	541R05301	093271	Tappo per cerniere	Hole hinge plug	
22	835739900	087110	Ruota rotante con freno (H125 mm)	Brake weel (H125 mm)	g,h,l,m,u,v,w,x,g1,h1,i1,l1,r1,s1,t1,v1
23	835740000	087111	Ruota rotante (H125 mm)	Weel (H125 mm)	g,h,l,m,u,v,w,x,g1,h1,i1,l1,r1,s1,t1,v1
24	880R64200	093343	Traversa per 1/2 porte a430	Support half door a430	
25	832R10000	093272	Cornice per traversa	Support half door frame	

## BT - Gab Mass

Pos	Fact .Code	SPC	Descrizione	Description	Ref. - Note
26	501R51800	093275	Cremagliera ant. 1/2 porte sup.	Upper rack 1/2 doors a304	
27	501R51600	093276	Cremagliera ant. 1/2 porte 304 inf.	Lower rack 1/2 doors a304	
28	835R25410	093585	Ass.1/2 porta superiore	Upper half door a304	
29	835R25509	093519	Ass.1/2 porta inferiore	Lower half door a304	
30	548R08100	094153	Guarnizione magnetica 1/2 porte	Half door gasket	Half door
31	546R21100	093392	Boccola per cerniera 1/2 porte	Half door bush	
32	833R21900	093301	Ass. cerniera inferiore	Lower hinge assembly	
33	505R12400	093344	Cerniera centrale	Central hinge door	
34	833R20900	093345	Serratura	Serratura	
35	880R57001	093736	Ass. porta vetro completa	Glass door assembled	
35	883R01401	*	Ass. porta vetro completa	Glass door assembled	n2
36	879R15600	093274	Porta vetro tn	Glass door TN	
36	879R36600	096173	Porta vetro tn	Glass door TN	n2
37	546R22400	093535	Tappo sup. dx pv	Upper right plug door GL	
38	546R22300	093536	Tappo sup. sx pv	Upper left plug door GL	
39	546R22500	093537	tappo inf. dx pv	Lower right plug door GL	
40	546R22200	093538	Tappo inf. sx pv	Lower left plug door GL	
41	505R12700	093349	Staffa superiore pv	Upper hinge GL	
41a	501R21900	096180	Staffa superiore pv LED	Upper hinge GL LED	n2
41b	546R35300	096182	Boccola GFM-16-18-16	Bush GFM-16-18-16	n2
42	833R21900	093301	Ass. staffa inf.(reversibile) pv	Lower bracket (reversible)	
43	835R28100	093320	Ass cerniera sup pv	Upper hinge GL	
43a	505R22000	096181	Ass cerniera sup pv LED	Upper hinge GL LED	n2
44	546R23100		Boccola per cerniera PV	Hinge bush GL	
45	880R60700	093303	Ass. lampada completo	Light support assembly	b, f, l, m, n up to 2471...
45	835R26801	094484	Ass. lampada completo	Light support assembly	b,f,l,m,n,p,s,v,x,y, b1,e1,h1,l1,m1, p1,s1,v1,f2,g2,h2 from 2481...
46	661R01000	093350	Lampada 28W	Neon 28W	Not for n2
47	546R22600	093258	Frontale lampada	Protection light	Not for n2
48	501R49500	093351	Tappo chiusura luce	Plug of clousure	Not for n2
49	546R23200	093352	Ferma cavo	Wiring stopper	Not for n2
50	501R50200	093321	Fermo lampada	Stopper light	Not for n2
51	502R24300		Supporto impianto elettrico	Electrical wiring support	Glass door always
51	502R24300		Supporto impianto elettrico	Electrical wiring support	Full door up to 2021/37
51	546R43401	097284	Supporto impianto elettrico	Electrical wiring support	Full door from 2021/38
52	684R05300	093206	Compressore (EMT6170ZA) 220/50 hz	Compressor (EMT6170ZA) 220/50 hz	
52	684R05900	093426	Compressore (EMT6152U) 230/50 hz R290	Compressor (EMT6152U) 230/50 hz R290	p2
52a	*	*	Relè avviamento	Start relay	
52b	*	*	Protettore	Protector	
52c	*	*	Condensatore di avviamento	Start capacitor	
53	518708401	087122	Fissaggio compressore	Rubber compressor	
54	830R06600	093431	Condensatore 5R D4, 76	Condenser	
54b	501R36701		Copertura condensatore	Condenser cover	
55	511708800	089697	Ventola 230-31 (elco)	Ventola 230-31	
56	546709500	089755	Protezione ventola	Fan protection	

Pos	Fact .Code	SPC	Descrizione	Description	Ref. - Note
57	515R12700	093259	Serpentina evap. acqua di conden.	Evaporation water pipe	
58	543R09300	093260	Fissaggio serpentina	Stopper pipe	
59	682R14200	096995	Ventilatore condensatore ELCO VNT11-20	Condenser ventiator ELCO VNT11-20	
60	858R06400	093507	Scambiatore 2m TN	Heat exchanger	
60	858R06700	097487	Scambiatore 2m TN R290	Heat exchanger R290	p2
61	858R00100	099949	Filtro 15 gr	Dehidrator filter	
62	A02021800	0A8171	Valvola per compressore	Compressor valve (charge or disch.)	
63	830R04001	093335	Evaporatore 3R 8T	Evaporator 3R 8T	
63	830R10600	094576	Evaporatore 3R 8T	Evaporator 3R 8T	
63	830R02D00	*	Evaporatore 3R 8T REM	Evaporator 3R 8T REM	m2
64	546R19201	093469	Vaschetta evaporatore	Evaporator tray	
65	682R14200	096995	Ventilatore evaporatore ELCO VNT11-20	Evaporator ventiator ELCO VNT11-20	
65a	511708800	089697	Ventola 230-31 ebm	Fan 230-31 ebm	
66	546709500	089755	Griglia ventilatore	Motor fan support	
67	646R06800	092174	Sonda cella	Cavity probe	
68	617R06002	093427	Resistenza con termost. 2-3R	Heating element with thermostat	a,c,e,o,q,t,a1, c1,f1,o1,h2,o2
69	514R11600	093487	Molla per fissaggio termostati	Thermostat spring	a,c,e,o,q,t,a1, c1,f1,o1,h2,o2
70	514R11102	093508	Molla per fissaggio resistenza	Heating element spring	a,c,e,o,q,t,a1, c1,f1,o1,h2,o2
70a	501R40700	093509	Deviatore aria	Air conveyor	
72	501R44101	093510	Convogliatore evap. pala 230	Evaporator convoyer	Up to 6441
72	501R44103	094429	Convogliatore evap. pala 230	Evaporator convoyer	From 6451
73	639R09900	093528	Morsettiera	Clamp	Up to 2022/41
<b>73</b>	<b>855R0AA00</b>		<b>Morsettiera</b>	<b>Clamp</b>	<b>Full door - a,c, d,e,g,h,i,o,q,r,t, u,w,z,a1,c1,d1, f1,g1,i1,n1,o1. q1,r1,t1,w1,z1, b2,d2,h2,o2,p2 From 2022/42</b>
<b>73</b>	<b>855R0AC00</b>		<b>Morsettiera</b>	<b>Clamp</b>	<b>Glass door - b, f,l,m,n,p,s,v,x, y,b1,e1,h1,m1, p1,s1,l1,v1,a2, c2,e2,f2,g2, m2,n2 From 2022/42</b>
74	835R24101	093261	Assieme Calotta	Evaporator cover	Up to 6181
74	835R47601	095201*	Assieme Calotta	Evaporator cover	From 6191
*	0881R32401	095200	Modulo Calotta TN	Evaporator cover Module TN	a,b,c,e,f,g,h,i,l, m,o,p,q,s,t,u,v, w,x,z,a1,b1,c1, e1,f1,g1,h1,i1, l1,n1,o1,p1,r1, s1,t1,v1,w1,f2, h2,o2
*	881R37301	*	Modulo Calotta TN remoto	Evaporator cover Module TN remote	
75	14701R003	093262	Neoprene espa. 8x13,3 nero (M4)	Gasket cover ( neoprene 8x13,3)	
76	217555204	093245	Vite senza punta x plastica 7 -20	Cover screw	
77	546R19702	093263	Tamponcino per tubi	Pipe cover insulation	
77	546R25800	093614	Tamponcino per tubi remoto	Pipe cover insulation remote	n,y,m1,a2,c2, g2,m2,n2

## BT - Gab Mass

Pos	Fact .Code	SPC	Descrizione	Description	Ref. - Note
78	546R26501	094425	Copertura scatola impianto elettrico	Wiring box cover	Full door up to 2021/37
78	546R26501	094425	Copertura scatola impianto elettrico	Wiring box cover	Glass door always
78a	546R26701	093976	Scatola impianto elettrico	Wiring box	Full door up to 2021/37
78a	546R26701	093976	Scatola impianto elettrico	Wiring box	Glass door always
79	694R00502	096636	Filtro antidisturbo	Electrical filter	
80	501R63701	093607	Sgocciolatoio	Drainer	n,y,m1,a2,c2,g2
81	617R07902	093605	Resistenza evaporazione 100W	Water evaporation heating element	n,y,m1,a2,c2,g2,m2 Up to 2021/37
81	617R26100	097289	Resistenza evaporazione 100W	Water evaporation heating element	n,y,m1,a2,c2,g2,m2 From 2021/38
82	501R63601	093606	Bacinella evaporazione	Water condensation basin	n,y,m1,a2,c2,g2,m2
83	514R13101	093604	Griglia protezione resistenza	Protection grid	n,y,m1,a2,c2,g2,m2
84	646740901	087333	Valvola Angleway (68U2487)	Valve Angleway (68U2487)	n,y,m1
84	646751900	088501	Valvola R404 (68U2076)	Valve R404 (68U2076)	a2,c2
84	646R16000	095674	Valvola R407C/R448A/R449A	Valve R407C/R448A/R449A	g2
85	565717600	089614	Isolante per valvola	Valve insulation	n,y,m1,a2,c2,g2
86	525719000	090229	Filtro meccanico a rete	Filter	n,y,m1,a2,c2,g2
87	646R10502	094435	Valvola solenoide	Solenoid valve	n,y,m1,a2,c2,g2
88	635R32300	095750	Cavo di alimentazione SCHUKO	SCHUKO supply cable	Not for UK prod. and h2
88	635R35600		Cavo di alimentazione UK	UK supply cable	o2
89	0501r49702	094617	Rivestimento anteriore sup. AISI 304	Upper front covering AISI 304	
90	546R26800	094451	Basamento gruppo	Basement	Not for remote
99	880R51210	*	Cruscotto con termoregolat. A304	Panel with termoregulator A304	a,c,g,i,o,q,u,z, a1,c1,g1,n1,o1, r1,w1,h2 Up to 2021/37
99	880R52802	*	Cruscotto con termoregolat. A430	Panel with termoregulator A430	d,e,h,r,t,w,d1, f1,i1,q1,t1 Up to 2021/37
99	880R60908	*	Cruscotto con termor. PV A304	Panel with termoregulator A304 GL	b,l,n,p,v,y,b1,h1, m1,p1,s1,g2,m2 up to 2021/37
99	880R61008	*	Cruscotto con termor. PV A430	Panel with termoregulator A430 GL	f,m,s,x,e1,l1,v1, f2 up to 2021/37
99	883R79900	*	Cruscotto con termor. PV LED A304	Panel with termoregulator A304 GL LED	b,l,n,p,v,y,b1, h1,m1,p1,s1, c2,e2,g2,m2, n2 From 2021/38
99	883R80400	*	Cruscotto con termor. PV LED A430	Panel with termoregulator A430 GL LED	f,m,s,x,e1,l1, v1,f2 from 2021/38
99	883R79000	*	Cruscotto con termor. A304 TN/BT remoto	Panel with termoregulator A304 TN/BT remote	a,c,g,i,o,q,u,z, a1,c1,g1,n1, o1,r1,w1,b2, d2,h2 From 2021/38
99	883R79700	*	Cruscotto con termor. TN A430	Panel with termoregulator A430 TN	d,e,h,r,t,w,d1, f1,i1,q1,t1 From 2021/38



## BT - Gab Mass

Pos	Fact .Code	SPC	Descrizione	Description	Ref. - Note
99	883R81400	*	Cruscotto con termor. A304 TN UK	Panel with termoregulator A304 TN UK	z1,h2 from 2021/38
99	883R66900	*	Cruscotto con termor. A304 TN/BT remoto	Panel with termoregulator A304 TN/BT remote	o2
99	883R78000	*	Cruscotto con termor. A304 TN marine	Panel with termoregulator A304 TN marine	p2
100	509R13004	095827	Cruscotto A304	Panel 304 AISI	a,b,c,g,i,l,n,o,p, q,v,y,z,a1,b1,c1, g1,h1,m1,n1, o1,p1,r1,s1,w1, z1,a2,b2,c2,d2, e2,g2,h2,m2 Up to 2021/37
100	509R13104	094436	Cruscotto A430	Panel 430 AISI	d,e,f,h,m,r,s,t,w, x,d1,e1,f1,i1,l1, q1,t1,v1,f2 Up to 2021/37
100	509R25200	096189	Cruscotto A304 LED	Panel 304 AISI LED	n2
100	509R25201		Cruscotto A304	Panel 304 AISI	a,b,c,g,i,l,n,o,p, q,v,y,z,a1,b1,c1, g1,h1,m1,n1, o1,p1,r1,s1,w1, z1,a2,b2,c2,d2, e2,g2,h2,m2,o2 From 2021/38
100	509R25301		Cruscotto A430	Panel 430 AISI	d,e,f,h,m,r,s,t, w,x,d1,e1,f1,i1, l1,q1,t1,v1,f2 From 2021/38
100	509R26700		Cruscotto A304 MARINE	Panel 304 AISI MARINE	p2
102	506784500	099853	Cerniera per cruscotto	Hinge for panel	
103	833R20900	093345	Serratura	Latch	
104	640712100	087485	Micro porta	Door switch	
105	646R10803	093532	Termoregolatore ir33 gab/mass	Thermoregulator Gab/Mass	a,c,d,e,g,i,o,q,r, t,w,z,a1,c1,d1,f1, i1,n1,o1,q1, t1,w1,h2,o2 - To be set Up to 2022/41 Order KIT 097586 See TB VTX2022_08
105	646R11000	093329	Termoregolatore ir33 gab/mass PV	Thermoregulator Gab/Mass GL	b,f,l,m,n,p,s,v,x, y,b1,e1,h1,l1, m1,p1,s1,v1,f2, g2,h2 - To be set Up to 2022/41 Order KIT 097586 See TB VTX2022_08
105	855R18400	097579	Termoregolatore Carel IJF	Thermoregulator Carel IJF	From 2022/42
106	501R37403	094389	Protezione	Protection led-lamp	Glass door Up to 2021/43
106	504R35000	097245	Protezione	Protection led-lamp	Glass door From 2021/44 Up to 2022/41
106	546R26601	093975	Protezione	Protection led-lamp	Full door Up to 2022/41
106	504R39300	097576	Protezione	Protection	From 2022/42
107	501R37502	093354	Staffa fiss. protez.trmoregolatore	Bracket support	Glass door up to 2022/17

## BT - Gab Mass

Pos	Fact .Code	SPC	Descrizione	Description	Ref. - Note
107	501R37502	093354	Staffa fiss. protez.trmoregolatore	Bracket support	Full door up to 2021/37
107a	546R43401	097284	Supporto impianto elettrico	Electrical wiring support	Glass door from 2022/18
109	755R03901	093268	Membrana adesiva	Stiker	Up to 7381
109	755R03902	093268	Membrana adesiva	Stiker	o1,p1,q1,w1,z1,c2,d2,e2
109	598R81500	095022	Membrana Zanussi	Zanussi membrane	For Zanussi products Up to 2021/37
109	598R81601	095023	Membrana Elux Prof	Elux Prof membrane	From 7391 for Elux Prof and To Brand products Up to 2021/37
109	598R81701	095024	Membrana neutra	Neutral membrane	For Alpen products
109	598R98301	096577	Membrana Elux Prof	Elux Prof membrane	For Elux Prof products from 2021/38
109	598R98601	097058	Membrana Zanussi	Zanussi membrane	For Zanussi products from 2021/38
109	598R95600		Membrana Blizzard Professional	Blizzard professional membrane	t1
<b>110</b>	<b>546R12100</b>	<b>092353</b>	<b>Protezione micro</b>	<b>Door switch protection</b>	
112	639R10400	093321	Morsetto	Clamp	
114	546R52100	097592	Filtro cruscotto	Control panel filter	p2
117	639R06800	*	Connettore dritto 3 vie	Connector 3 ways right	
117	639R06900	*	Connettore dritto 7 vie	Connector 7 ways right	
117	*	099740	Connettore 90° 7 vie	Connector 7 ways 90°	
117	*	099741	Connettore 90° 5 vie	Connector 5 ways 90°	
117	*	088998	Connettore 90° 3 vie	Connector 3 ways 90°	
117	*	099743	Connettore 90° 3 vie piccolo	Connector 3 ways 90° small	
117	*	099742	Connettore 90° 2 vie	Connector 2 ways 90°	
117	*	091682	Connettore 90° 4 vie	Connector 4 ways 90°	
117	*	091684	Connettore 90° 5 vie	Connector 5 ways 90°	
<b>117</b>	<b>639R04V00</b>	<b>097578</b>	<b>Connettore femmina 3 vie</b>	<b>Connector 3 ways female</b>	<b>From 2022/42</b>
*	639R09600	093180	Convertitore spina UK	UK plug converter	g,h,l,m,u,v,w,x,g1,h1,i1,l1,r1,s1,t1,v1
118	624R01400	093270	Alimentatore PV	Light power GL	b,f,l,m,n,p,s,v,x,y,b1,e1,h1,l1,m1,p1,s1,v1,f2,g2
118	648R11300	096179	Alimentatore PV LED	Light power GL LED	n2 up to 2021/37
118	648R11700	097052	Alimentatore PV LED	Light power GL LED	n2 from 2021/38